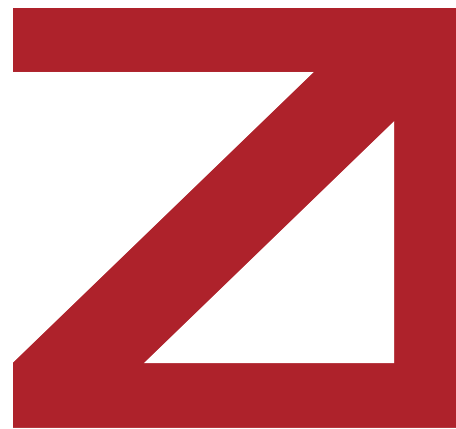


# STANDARD DOOR HARDWARE

UPDATED MARCH 2018

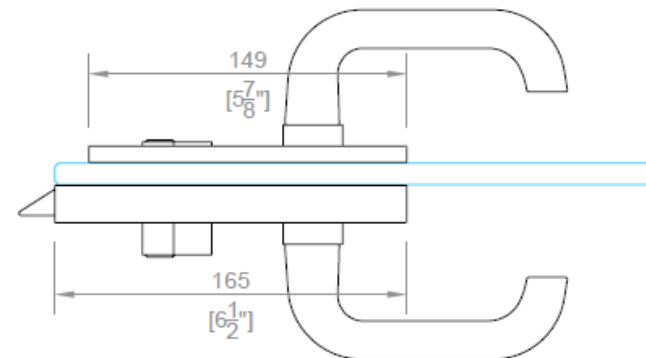
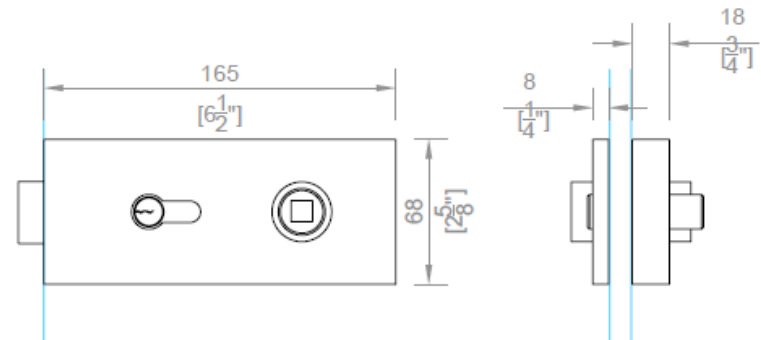
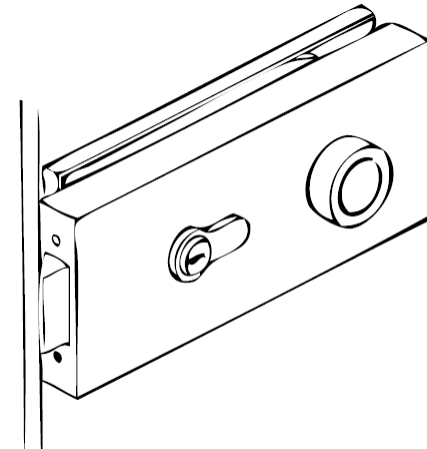


CREATIVE

# LEVER SET



- For use on 3/8" and 1/2" thick glass, single pivot or hinge doors
- Available in locking or passage functions
- Includes euro profile key cylinder on lock sets
- Keyed differently
- Master Key available on project with 5+ doors
- Can be non handed or reversible
- Finishes - anodized aluminium and satin steel



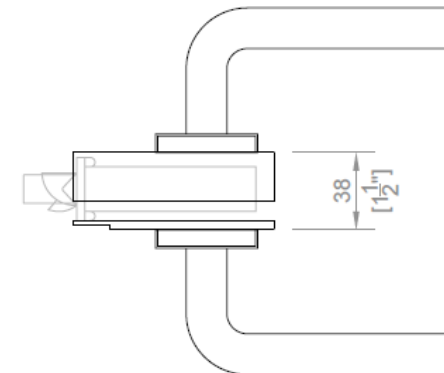
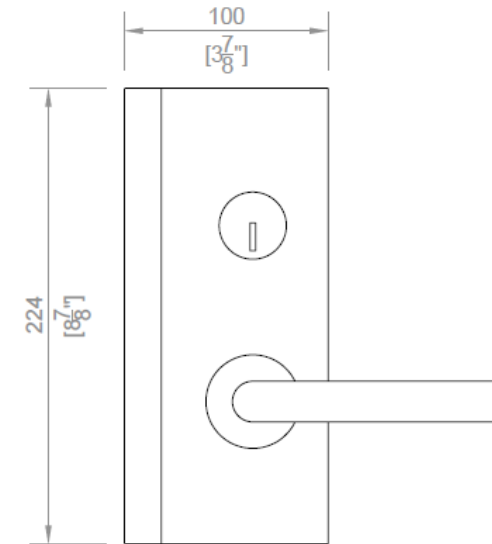
# LEVER SET WOOD DOOR



- Available in locking or passage functions
- Includes euro profile key cylinder on lock sets
- Keyed differently
- Master Key available on project with 5+ doors
- Can be non handed or reversible
- Finishes - satin steel



# SINGLE ACTION LOCK SET



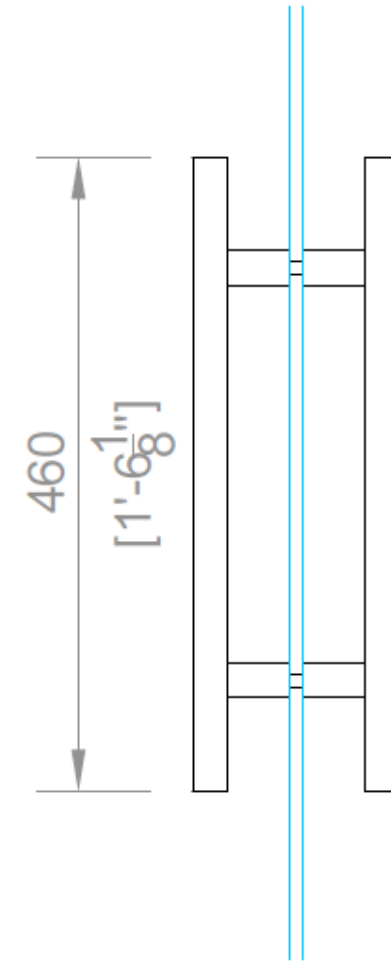
- For use on 1/2" thick glass, single pivot or hinge doors
- Lock set for single action doors with matching lever handles
  - Strike Box available for postless doors
- Includes 7-pin small format interchangeable cores (SFIC)
  - Keyed differently
  - Master key on projects with 5+ doors
- Handed & non-reversible
- Single action to release lock by pushing down on lever from inside of room

- ADA compliant thumb turn
- Finish: Brushed Stainless
- Glass fabrication required

# NON LOCKING LADDER PULLS



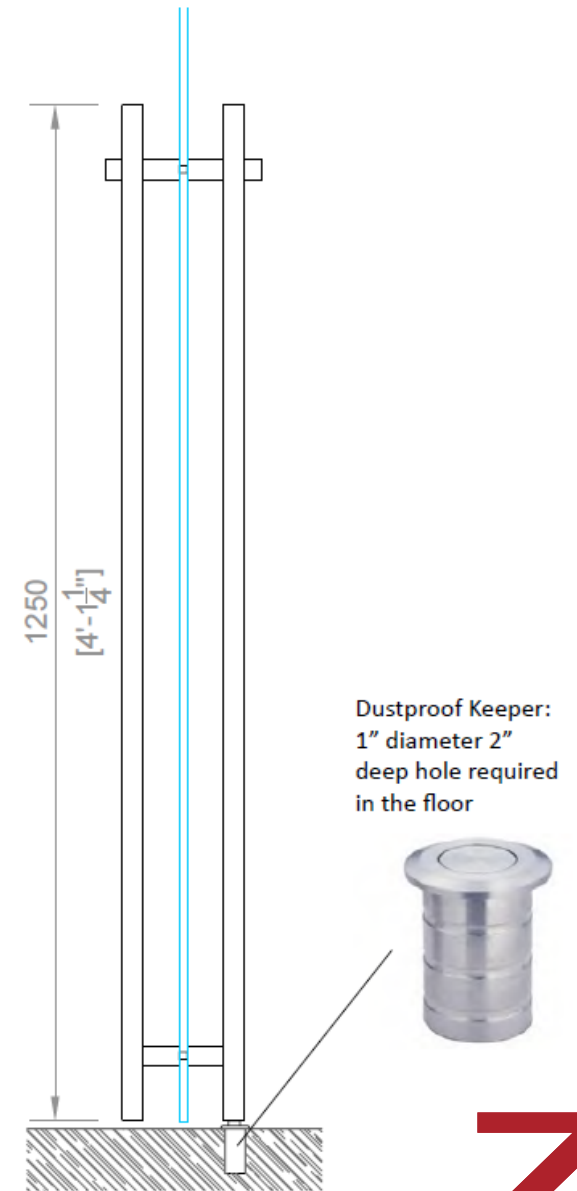
- For use on full-height 3/8" and 1/2" thick glass, single pivot, single hinge, double pivot and sliding door
- Must use with floor closer
- Available in locking or non locking version
- Locking version equipped with euro profile key cylinder
- Diameter 1" [25mm]
- Overall lengths: 1' 6" 1/8 [460 mm]
- Glass fabrication required
- Finishes satin steel



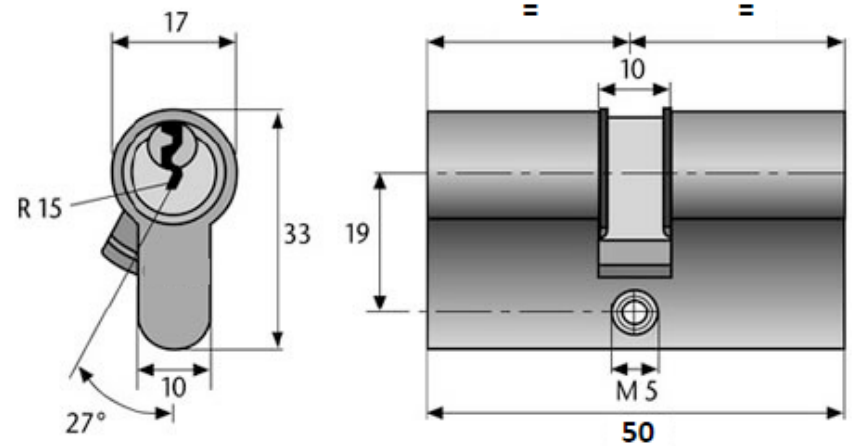
# LOCKING LADDER PULLS



- For use on full-height 3/8" and 1/2" thick glass, single pivot, single hinge, double pivot and sliding door
- Must use with floor closer
- Available in locking or non locking version
- Locking version equipped with euro profile key cylinder
- Diameter 1" [25 mm]
- Overall lengths: 4' 1" 1/4 [1250 mm]
- Glass fabrication required
- Finishes satin steel



# CYLINDER STANDARD



- Keyed differently
- Finishes: Brushed Nickel

# SMALL FORMAT INTERCHANGEABLE CORE (SFIC)



- For locking ladder pulls & Single action lock sets
- 7-pin type core
  - Keyed differently
  - Master key on projects with 5+ doors
  - Includes 1 control key and 2 operate keys provided
- Finishes: Brushed Nickel

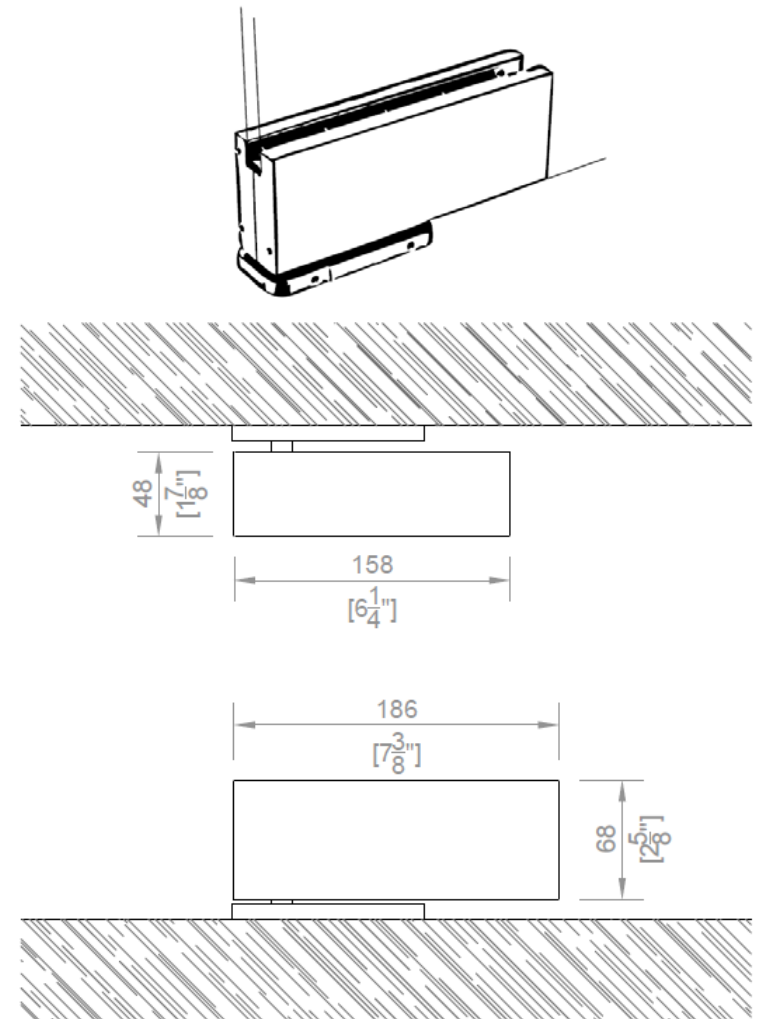
- Installation: Insert the supplied control key into the core and rotate it 15 degrees clockwise. Then insert the core into the handle's lock housing and turn the control key back 15 degrees to the original starting point.



# PATCH FITTING FOR GLASS PIVOT DOOR



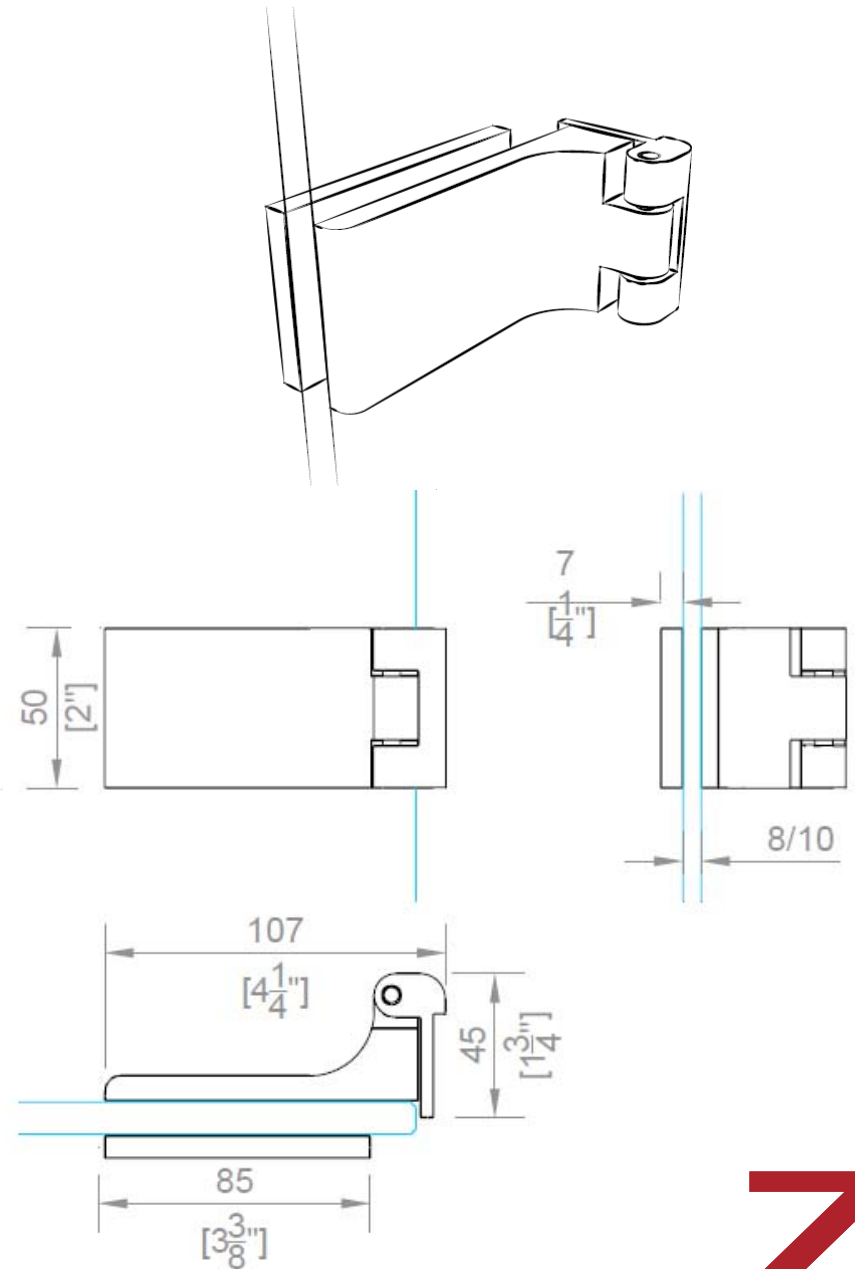
- For use on 3/8" and 1/2" thick glass single and double pivot doors
- Finishes: satin steel



# GLASS DOOR HINGE



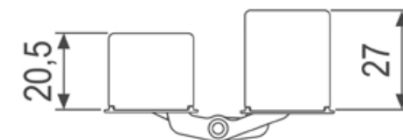
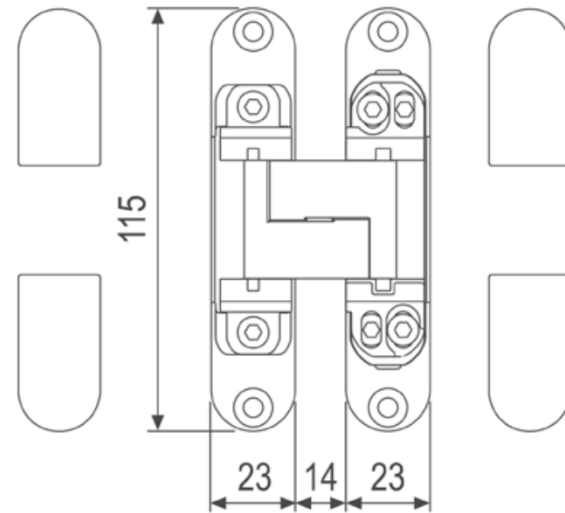
- For use on full-height 3/8" and 1/2" thick glass, single hinge and double hinge doors
- Bottom hinge must be mounted 10" AFF to meet ADA requirements
- 3 hinges per door equally spaced out based on nominal ceiling height of project
- Finishes - anodized aluminum and satin steel



# WOOD DOOR HINGE



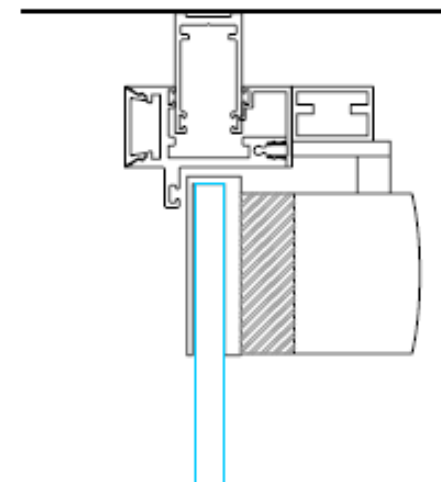
- For use with wood doors
- 3 hinges for 8' doors
- Includes cover plate
- Finishes - anodized aluminum



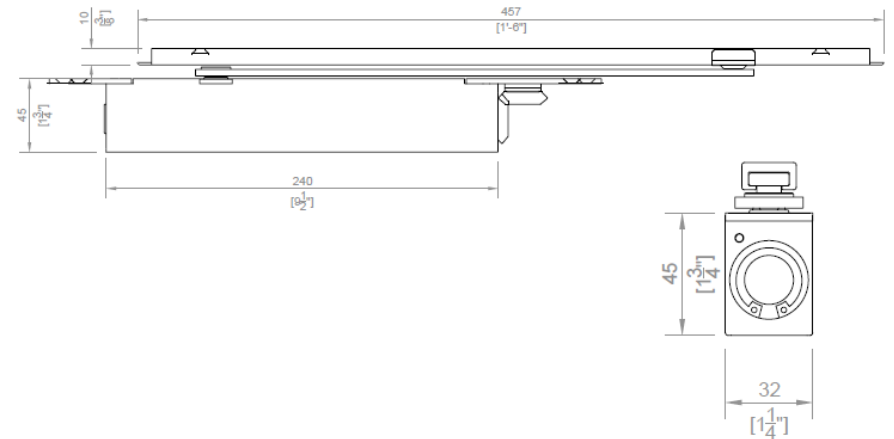
# SURFACE MOUNTED DOOR CLOSER



- Available for single glass hinge door
- Closing speed of a door can be set individually.
- Latching action. The door movement is accelerated in the last degrees of closing in order to overcome closing resistance, e.g. air resistance
- Delayed closing action Reduces the closing speed of a door or stops the door, so that passing people have sufficient time to get through the door
- Back check. Reduces the speed of forcefully thrown open door.
- Finishes -anodized aluminum, satin steel and White



# CONCEALED DOOR CLOSER



- Available for double glass hinge door or wood door
- The integrated Boxer door closer for single leaf doors is installed completely inside the door leaf. The guide rail can only be seen when the door is open. The closing speed, the hydraulic end stop and the hydraulic opening buffer can be adjusted when installed.

# FLOOR-RECESSED DOOR CLOSER



## Floor Mounted Dome Door Stop

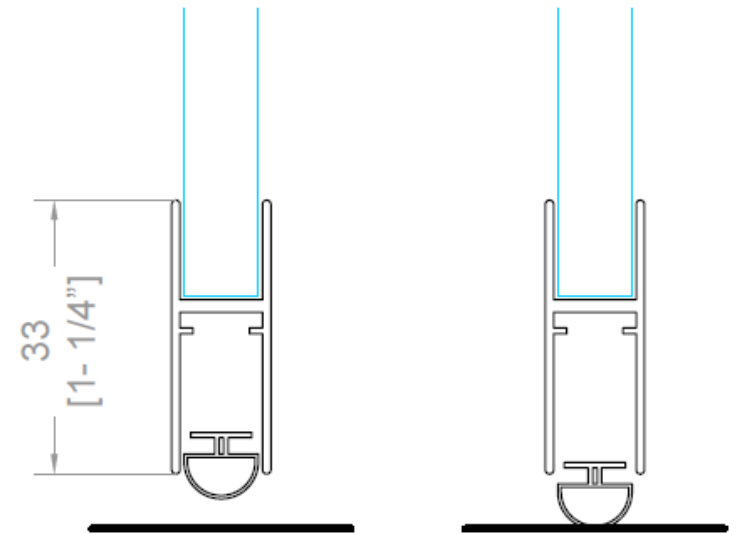
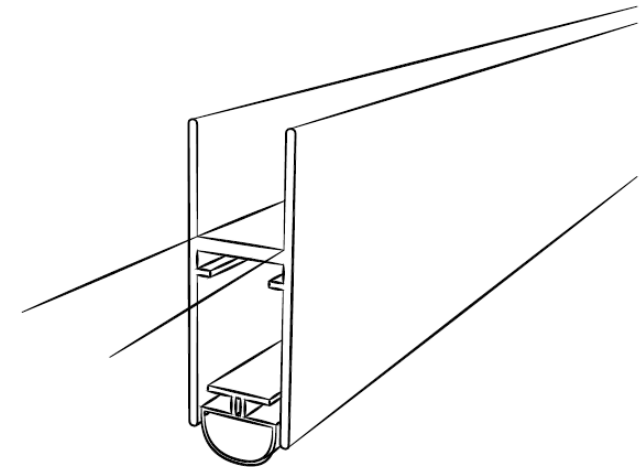
- Finish: Satin Chrome
- Overall Height: 1" (25.4mm)
- Base Height: 3/32" (2.4mm)
- Zinc Diecast
- For use with Floor Closers instead of Magnetic Door Stops
- Dorma BTS75V 180 degree hold open at 90 degree floor-mounted door closer with changeable spindle
- No hold open option available
- For use on glass pivot doors with ladder pulls to control movement of door

- Closer: 2-1/4" (56mm) x 3-1/8" (80mm) x 10-5/8" (270mm)
- Cover Plate: 4-3/8" (110mm) x 12-1/8" (308mm)
- Cover Plate Finish: Brushed Stainless
- Max. Door Weight: 260 lbs (120 kgs)
- Max. Door Width: 42" wide
- Installation: Must be recessed in the floor (see above dimensions)
- The closer has dual independent valves for closing operation: one valve for closing and one valve for latching.

# CONCEALED DOOR CLOSER



- For use on full-height 3/8" and 1/2" thick glass, single hinge and double hinge doors
- Finishes - anodized aluminum and satin steel



# LOW VOLTAGE SWITCH



- For use in low voltage 24v switching  $\text{Ø}22$  applications
- Field installed at desired location on profile
- Finishes - satin steel

